

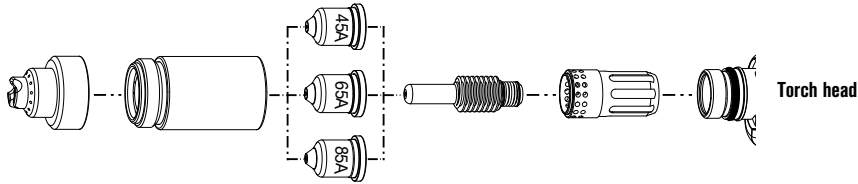
Hypertherm®

Duramax™ HRT Retrofit torch

For Powermax1000/1250

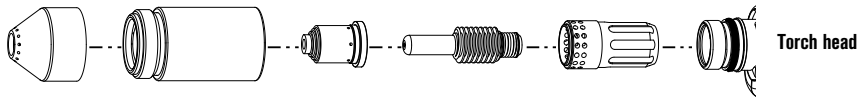
HRT hand torch consumables

Drag-cutting consumables



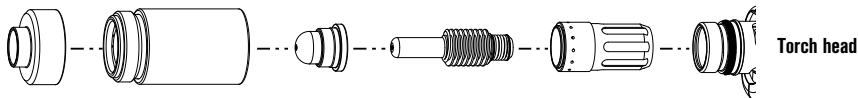
	Shield	Retaining cap	Nozzle	Electrode	Swirl ring
45 A	220818*	220854	220941*	220842*	220857
65 A	220818*	220854	220819*	220842*	220857
85 A	220818*	220854	220816*	220842*	220857

Gouging consumables



	Shield	Retaining cap	Nozzle	Electrode	Swirl ring
65 A/85 A	220798	220854	220797*	220842*	220857

FineCut consumables



	Shield/Deflector	Retaining cap	Nozzle	Electrode	Swirl ring
45 A	220931	220854	220930*	220842*	220947



TECHNOLOGIES

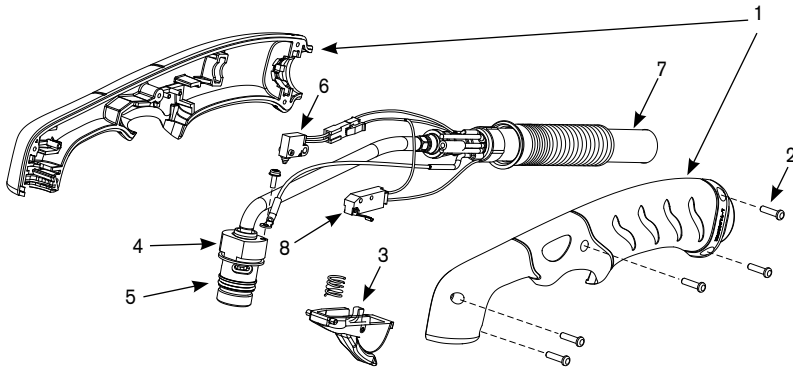
- FineCut®**
- Dielectric shield**
- Vented shield**
- Conical Flow™**
- Spring Start™**

All-in-one and FineCut kits available. Visit www.hypertherm.com/consumablekits or see pages 87 – 88 for options.

* Consumables available in multiple packaging options, see page 87 for bulk package information.

Hypertherm, Powermax, FineCut, Conical Flow and Spring Start are trademarks of Hypertherm, Inc. and may be registered in the United States and/or other countries.

HRT hand torch assembly



HRT assembly

Part number	Description
228788*	HRT Hand torch assembly with 25' (7.6 m) lead
228789*	HRT Hand torch assembly with 50' (15.2 m) lead
1. 228717	Kit: H65/H85/HRT Torch handle replacement
2. 075714	Handle screws, #4 x 1/2 slotted TORX pan head, S/B
3. 228721	Kit: H65/H85/H65s/H85s/HRT (spring and trigger assembly)
4. 228792	Kit: HRT Torch main body replacement
5. 058519	O-ring
6. 228719	Kit: H65/H85/HRT Cap-sensor switch replacement
7. 228784	Kit: HRT Torch lead replacement, 25' (7.6 m)
7. 228785	Kit: HRT Torch lead replacement, 50' (15.2 m)
8. 005252	Trigger start switch
128772	Kit: ETR connector repair (regional repair centers only)

*Assembly includes a variety of Duramax consumables

